

Premium Efficiency Motor

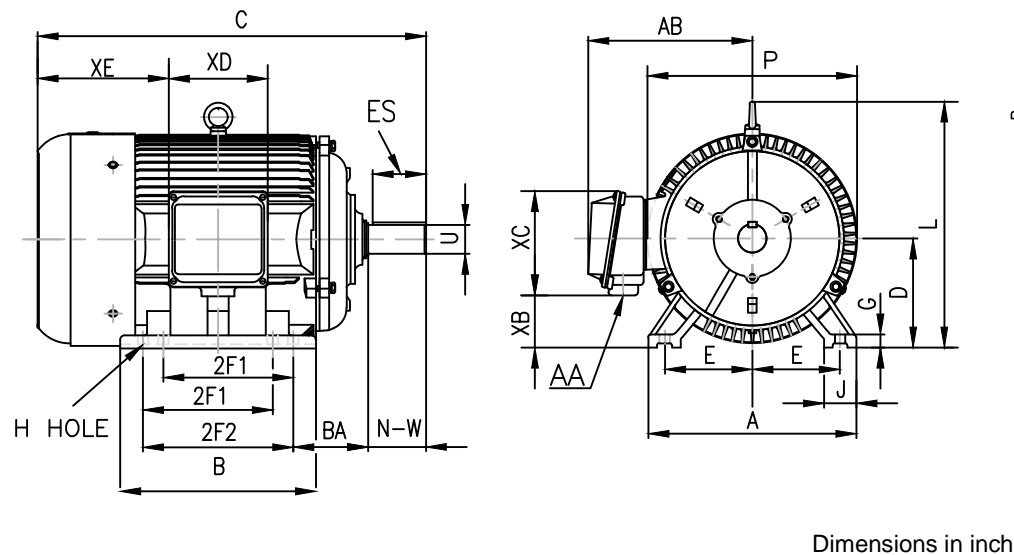
TM1506TPP

Voltage	<u>208-230/460</u>	Hz	<u>60</u>	Encl	<u>TEFC</u>	Duty Cycle	<u>Continuous / S1</u>
Design	<u>B</u>	Ins.Cl.	<u>F</u>	Ambient	<u>40°C</u>	IP	<u>55</u>
Altitude	<u>3300FT</u>	S.F.	<u>1.15</u>	Rotation	<u>CW/CCW</u>	Mounting	<u>F1/F2</u>

HP	RPM	Frame	Amps 208-230/460V	KVA Code	P.F.	Rated Torque	Locked Rotor Torque	Breakdown Torque	Full Load Temp. Rise
150	1190	447T	386.36-349.4/174.7	G	0.84	662 lb.ft.	250%	270%	80K

Slip %	Locked Rotor Amp	No Load Current	Moment of Inertia	Bearing		Regrease Interval		Max Time Locked Rotor	Efficiency %	
				DE	ODE	DE	ODE		FL	3/4L
0.8	2170/1085	134/62	117.2 lb.ft ²	NU319	6314	4200 Hrs	6400 Hrs	15 Sec	95.8	95.75

Inverter Duty	Hazardous Location / Temp. Code	Leads / Connect	Shaft Material	Approx Weight
10:1 CT 20:1 VT	Class I Division 2 / T3B	12 / Δ	1045 Carbon Steel	2670 lbs



Rating for 50 Hz Application	
HP	150
RPM	990
Volt	200/400
S.F.	1.0

Connection	
Low Voltage	High Voltage

A	B	C	D	G	J	P	L	AB
22.1	26.5	48	11	1.4	3.9	23.1	22.6	19.3

Mounting					Key		Keyset	Shaft Extension		Terminal Box				
E	2F1	2F2	H	BA	S	ES	R	N-W	U	AA	XB	XC	XD	XE
9	16.5	20	0.81	7.5	0.875	6.91	2.88	8.5	3.375	2x3	5.3	11.9	11.4	16.3

*Data may change without notice.