

Premium Efficiency Motor

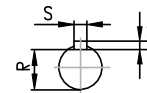
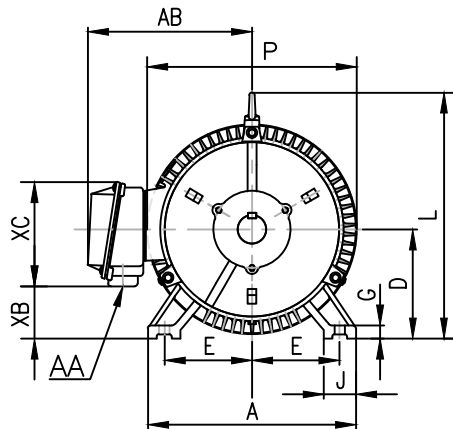
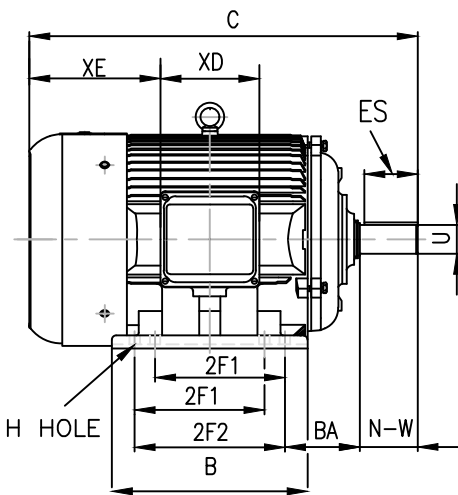
TM1504TPP

Voltage	<u>208-230/460</u>	Hz	<u>60</u>	Encl	<u>TEFC</u>	Duty Cycle	<u>Continuous / S1</u>
Design	<u>B</u>	Ins.Cl.	<u>F</u>	Ambient	<u>40°C</u>	IP	<u>55</u>
Altitude	<u>3300FT</u>	S.F.	<u>1.15</u>	Rotation	<u>CW/CCW</u>	Mounting	<u>F1/F2</u>

HP	RPM	Frame	Amps 208~230/460V	KVA Code	P.F.	Rated Torque	Locked Rotor Torque	Breakdown Torque	Full Load Temp. Rise
150	1780	445T	377.5~341.4/170.7	G	0.86	443 lb.ft.	180%	250%	80K

Slip %	Locked Rotor Amp	No Load Current	Moment of Inertia	Bearing		Regrease Interval		Max Time Locked Rotor	Efficiency %	
				DE	ODE	DE	ODE		FL	3/4L
1.1	2170/1085	104.4/52.2	69.3 lb.ft ²	NU318	6314	2500 Hrs	6500 Hrs	15 Sec	95.8	95.76

Inverter Duty	Hazardous Location / Temp. Code	Leads / Connect	Shaft Material	Approx Weight
10:1 CT 20:1 VT	Class I Division 2 / T3B	12 / Δ	1045 Carbon Steel	1862 lbs



Rating for 50 Hz Application	
HP	150
RPM	1480
Volt	200/400
S.F.	1.0

Dimensions in inch

A	B	C	D	G	J	P	L	AB
22.1	20.7	44.5	11	1.4	3.9	23.1	22.6	19.3

Connection	
Low Voltage	High Voltage

Mounting					Key	Keyset	Shaft Extension	Terminal Box						
E	2F1	2F2	H	BA	S	ES	R	N-W	U	AA	XB	XC	XD	XE
9	14.5	16.5	0.81	7.5	0.875	6.91	2.88	8.5	3.375	2x3	5.3	11.9	11.4	14.5

*Data may change without notice.