

Premium Efficiency Motor

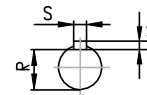
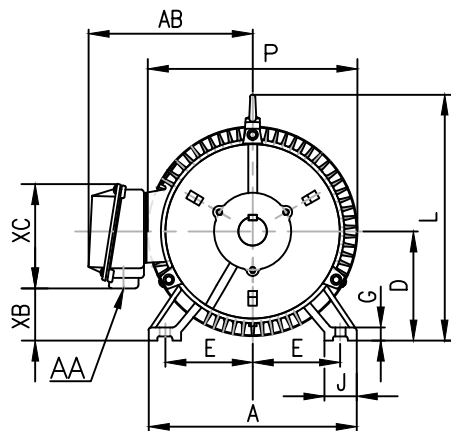
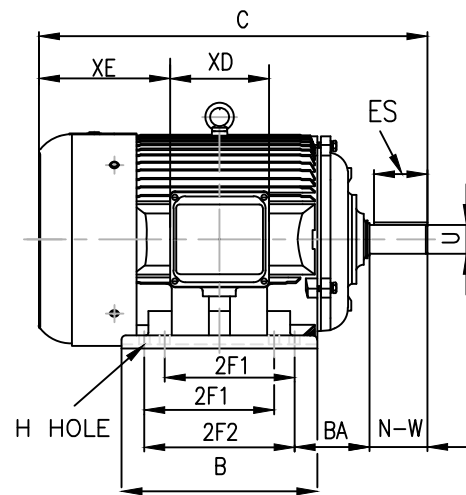
TM1502TPP

| | | | | | | | |
|----------|--------------------|---------|-------------|----------|---------------|------------|------------------------|
| Voltage | <u>208-230/460</u> | Hz | <u>60</u> | Encl | <u>TEFC</u> | Duty Cycle | <u>Continuous / S1</u> |
| Design | <u>B</u> | Ins.Cl. | <u>F</u> | Ambient | <u>40°C</u> | IP | <u>55</u> |
| Altitude | <u>3300FT</u> | S.F. | <u>1.15</u> | Rotation | <u>CW/CCW</u> | Mounting | <u>F1/F2</u> |

| HP | RPM | Frame | Amps 208~230/460V | KVA Code | P.F. | Rated Torque | Locked Rotor Torque | Breakdown Torque | Full Load Temp. Rise |
|-----|------|-------|----------------------|----------|------|--------------|---------------------|------------------|----------------------|
| 150 | 3580 | 445TS | 363.79~329/164.5 | G | 0.9 | 220 lb.ft. | 185% | 280% | 80K |

| Slip % | Locked Rotor Amp | No Load Current | Moment of Inertia | Bearing | | Regrease Interval | | Max Time Locked Rotor | Efficiency % | |
|--------|------------------|-----------------|-------------------------|---------|------|-------------------|----------|-----------------------|--------------|------|
| | | | | DE | ODE | DE | ODE | | FL | 3/4L |
| 0.6 | 2170/1085 | 82.2/41.1 | 37.4 lb.ft ² | 6314 | 6314 | 2800 Hrs | 2800 Hrs | 15 Sec | 95 | 95.1 |

| Inverter Duty | Hazardous Location / Temp. Code | Leads / Connect | Shaft Material | Approx Weight |
|-----------------|---------------------------------|-----------------|-------------------|---------------|
| 10:1 CT 20:1 VT | Class I Division 2 / T3B | 12 / Δ | 1045 Carbon Steel | 1496 lbs |



| Rating for 50 Hz Application | |
|------------------------------|---------|
| HP | 150 |
| RPM | 2980 |
| Volt | 200/400 |
| S.F. | 1.0 |

| Connection | | | | | |
|-------------|------|------|--------------|------|------|
| Low Voltage | | | High Voltage | | |
| ○ 6 | ○ 4 | ○ 5 | ○ 4 | ○ 5 | ○ 6 |
| ○ 7 | ○ 8 | ○ 9 | ○ 7 | ○ 8 | ○ 9 |
| ○ 12 | ○ 10 | ○ 11 | ○ 12 | ○ 10 | ○ 11 |
| ○ 1 | ○ 2 | ○ 3 | ○ 1 | ○ 2 | ○ 3 |
| L1 | L2 | L3 | L1 | L2 | L3 |

Dimensions in inch

| A | B | C | D | G | J | P | L | AB |
|------|------|------|----|-----|-----|------|------|------|
| 22.1 | 20.7 | 40.8 | 11 | 1.4 | 3.9 | 23.1 | 22.6 | 19.3 |

| Mounting | | | | | Key | | Keyset | Shaft Extension | | Terminal Box | | | | |
|----------|------|------|------|-----|-------|------|--------|-----------------|-------|--------------|-----|------|------|------|
| E | 2F1 | 2F2 | H | BA | S | ES | R | N-W | U | AA | XB | XC | XD | XE |
| 9 | 14.5 | 16.5 | 0.81 | 7.5 | 0.625 | 3.03 | 2.021 | 4.75 | 2.375 | 2x3 | 5.3 | 11.9 | 11.4 | 14.5 |

*Data may change without notice.