

Premium Efficiency Motor

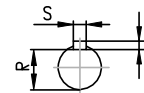
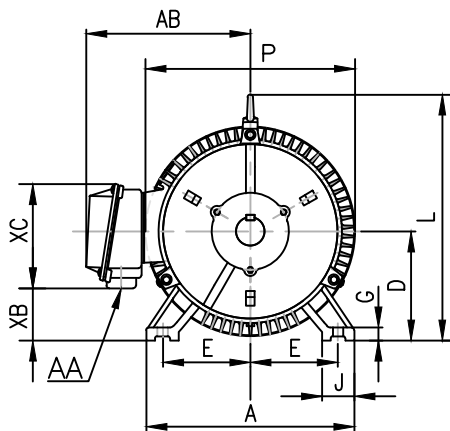
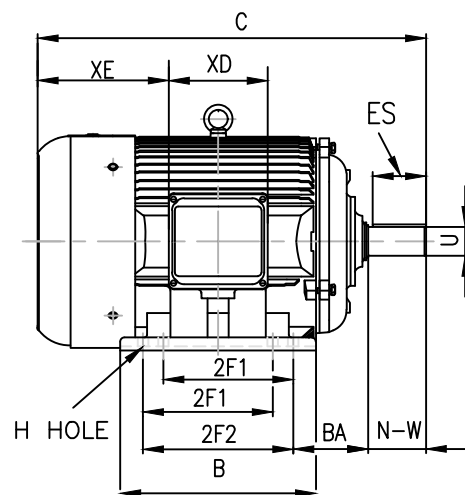
TM1254TPP

Voltage	<u>208-230/460</u>	Hz	<u>60</u>	Encl	<u>TEFC</u>	Duty Cycle	<u>Continuous / S1</u>
Design	<u>B</u>	Ins.Cl.	<u>F</u>	Ambient	<u>40°C</u>	IP	<u>55</u>
Altitude	<u>3300FT</u>	S.F.	<u>1.15</u>	Rotation	<u>CW/CCW</u>	Mounting	<u>F1/F2</u>

HP	RPM	Frame	Amps 208~230/460V	KVA Code	P.F.	Rated Torque	Locked Rotor Torque	Breakdown Torque	Full Load Temp. Rise
125	1780	444T	315.8~285.2/142.6	G	0.86	367 lb.ft.	170%	250%	80K

Slip %	Locked Rotor Amp	No Load Current	Moment of Inertia	Bearing		Regrease Interval		Max Time Locked Rotor	Efficiency %	
				DE	ODE	DE	ODE		FL	3/4L
1.1	1816/908	94.54/47.27	65.1 lb.ft ²	NU318	6314	2500 Hrs	6500 Hrs	15 Sec	95.4	95.3

Inverter Duty	Hazardous Location / Temp. Code	Leads / Connect	Shaft Material	Approx Weight
10:1 CT 20:1 VT	Class I Division 2 / T3B	12 / Δ	1045 Carbon Steel	1609 lbs



Rating for 50 Hz Application	
HP	125
RPM	1480
Volt	200/400
S.F.	1.0

Connection					
Low Voltage			High Voltage		
○ 6	○ 4	○ 5	○ 4	○ 5	○ 6
○ 7	○ 8	○ 9	○ 7	○ 8	○ 9
○ 12	○ 10	○ 11	○ 12	○ 10	○ 11
○ 1	○ 2	○ 3	○ 1	○ 2	○ 3
L1	L2	L3	L1	L2	L3

Dimensions in inch

A	B	C	D	G	J	P	L	AB
22.1	18.6	42.5	11	1.4	3.9	23.1	22.6	19.3

Mounting					Key		Keyset	Shaft Extension		Terminal Box				
E	2F1	2F2	H	BA	S	ES	R	N-W	U	AA	XB	XC	XD	XE
9	—	14.5	0.81	7.5	0.875	6.91	2.88	8.5	3.375	2x3	5.3	11.9	11.4	13.5

*Data may change without notice.