

Premium Efficiency Motor

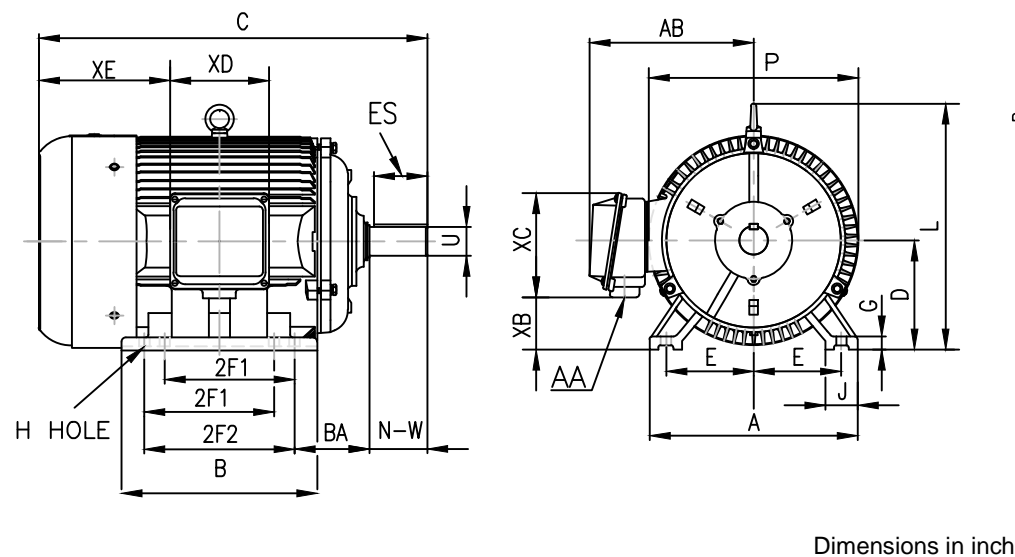
TM1252TPP

Voltage	<u>208-230/460</u>	Hz	<u>60</u>	Encl	<u>TEFC</u>	Duty Cycle	<u>Continuous / S1</u>
Design	<u>B</u>	Ins.Cl.	<u>F</u>	Ambient	<u>40°C</u>	IP	<u>55</u>
Altitude	<u>3300FT</u>	S.F.	<u>1.15</u>	Rotation	<u>CW/CCW</u>	Mounting	<u>F1/F2</u>

HP	RPM	Frame	Amps 208~230/460V	KVA Code	P.F.	Rated Torque	Locked Rotor Torque	Breakdown Torque	Full Load Temp. Rise
125	3570	444TS	302.98~274/137	G	0.9	183.5 lb.ft.	180%	240%	80K

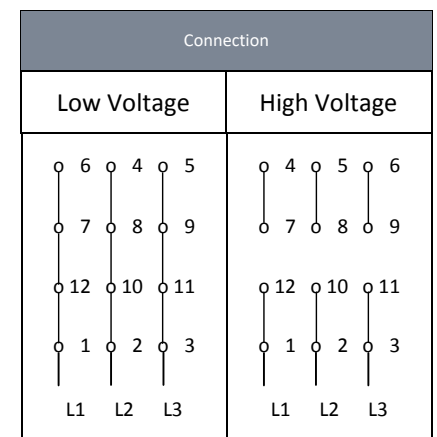
Slip %	Locked Rotor Amp	No Load Current	Moment of Inertia	Bearing		Regrease Interval		Max Time Locked Rotor	Efficiency %	
				DE	ODE	DE	ODE		FL	3/4L
0.8	1816/908	73/36.5	32.3 lb.ft <sup>2</sup>	6314	6314	2800 Hrs	2800 Hrs	15 Sec	95	95.1

Inverter Duty	Hazardous Location / Temp. Code	Leads / Connect	Shaft Material	Approx Weight
10:1 CT 20:1 VT	Class I Division 2 / T3B	12 / Δ	1045 Carbon Steel	1386 lbs



A	B	C	D	G	J	P	L	AB
22.1	18.6	38.8	11	1.4	3.9	23.1	22.6	19.3

Rating for 50 Hz Application	
HP	125
RPM	2980
Volt	200/400
S.F.	1.0



Mounting					Key		Keyset	Shaft Extension		Terminal Box				
E	2F1	2F2	H	BA	S	ES	R	N-W	U	AA	XB	XC	XD	XE
9	—	14.5	0.81	7.5	0.625	3.03	2.021	4.75	2.375	2x3	5.3	11.9	11.4	13.5

\*Data may change without notice.