

Premium Efficiency Motor

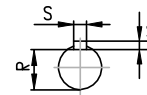
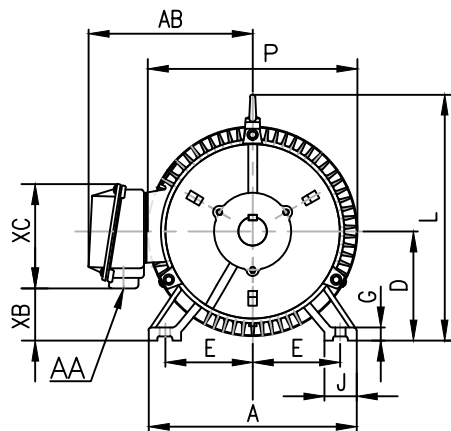
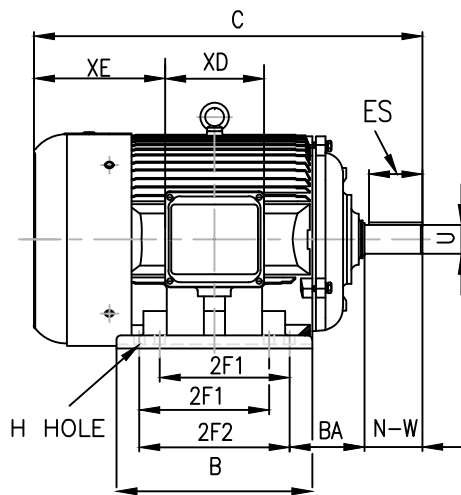
TM1006TPP

Voltage	<u>208-230/460</u>	Hz	<u>60</u>	Encl	<u>TEFC</u>	Duty Cycle	<u>Continuous / S1</u>
Design	<u>B</u>	Ins.Cl.	<u>F</u>	Ambient	<u>40°C</u>	IP	<u>55</u>
Altitude	<u>3300FT</u>	S.F.	<u>1.15</u>	Rotation	<u>CW/CCW</u>	Mounting	<u>F1/F2</u>

HP	RPM	Frame	Amps 208~230/460V	KVA Code	P.F.	Rated Torque	Locked Rotor Torque	Breakdown Torque	Full Load Temp. Rise
100	1190	444T	266~240.6/120.3	G	0.82	441.5 lb.ft.	200%	240%	80K

Slip %	Locked Rotor Amp	No Load Current	Moment of Inertia	Bearing		Regrease Interval		Max Time Locked Rotor	Efficiency %	
				DE	ODE	DE	ODE		FL	3/4L
0.8	1450/725	81/40.5	88.2 lb.ft <sup>2</sup>	NU318	6314	4400 Hrs	6800 Hrs	15 Sec	95	95.1

Inverter Duty	Hazardous Location / Temp. Code	Leads / Connect	Shaft Material	Approx Weight
10:1 CT 20:1 VT	Class I Division 2 / T3B	12 / Δ	1045 Carbon Steel	1368 lbs



Rating for 50 Hz Application	
HP	100
RPM	1190
Volt	200/400
S.F.	1.0

Connection	
Low Voltage	High Voltage
L1 L2 L3	L1 L2 L3

Dimensions in inch

A	B	C	D	G	J	P	L	AB
22.1	18.6	42.5	11	1.4	3.9	23.1	22.6	19.3

Mounting					Key		Keyset	Shaft Extension	Terminal Box					
E	2F1	2F2	H	BA	S	ES	R	N-W	U	AA	XB	XC	XD	XE
9	—	14.5	0.81	7.5	0.875	6.91	2.88	8.5	3.375	2x3	5.3	11.9	11.4	13.5

\*Data may change without notice.