

Premium Efficiency Motor

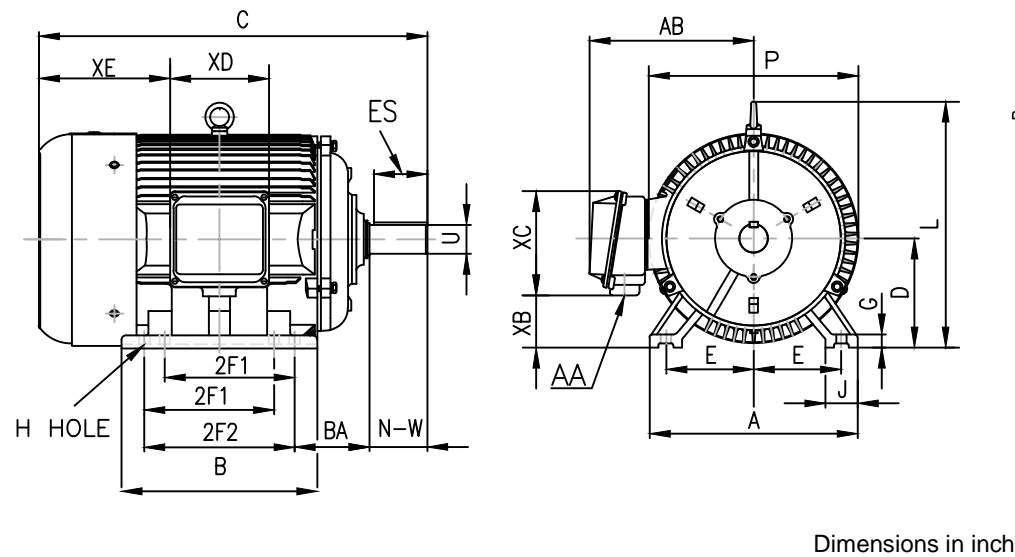
TM0752TPP

Voltage	<u>208-230/460</u>	Hz	<u>60</u>	Encl	<u>TEFC</u>	Duty Cycle	<u>Continuous / S1</u>
Design	<u>B</u>	Ins.Cl.	<u>F</u>	Ambient	<u>40°C</u>	IP	<u>55</u>
Altitude	<u>3300FT</u>	S.F.	<u>1.15</u>	Rotation	<u>CW/CCW</u>	Mounting	<u>F1/F2</u>

HP	RPM	Frame	Amps 208~230/460V	KVA Code	P.F.	Rated Torque	Locked Rotor Torque	Breakdown Torque	Full Load Temp. Rise
75	3580	365TS	188.75~170.7/85.4	G	0.88	110.1 lb.ft.	175%	240%	80K

Slip %	Locked Rotor Amp	No Load Current	Moment of Inertia	Bearing		Regrease Interval		Max Time Locked Rotor	Efficiency %	
				DE	ODE	DE	ODE		FL	3/4L
0.6	1085/542.5	46.2/23.1	9.84 lb.ft ²	6313	6312	3100 Hrs	3800 Hrs	18 Sec	93.6	93.55

Inverter Duty	Hazardous Location / Temp. Code	Leads / Connect	Shaft Material	Approx Weight
10:1 CT 20:1 VT	Class I Division 2 / T3B	12 / Δ	1045 Carbon Steel	843 lbs



Rating for 50 Hz Application	
HP	75
RPM	2980
Volt	200/400
S.F.	1.0

Connection	
Low Voltage	High Voltage

A	B	C	D	G	J	P	L	AB
17	15.6	32.1	9	1.1	3.1	19	18.5	16.9

Mounting					Key		Keyset	Shaft Extension		Terminal Box				
E	2F1	2F2	H	BA	S	ES	R	N-W	U	AA	XB	XC	XD	XE
7	11.25	12.25	0.66	5.88	0.5	2.03	1.591	3.75	1.875	3	4.1	11.7	9.8	11.4

*Data may change without notice.