

Premium Efficiency Motor

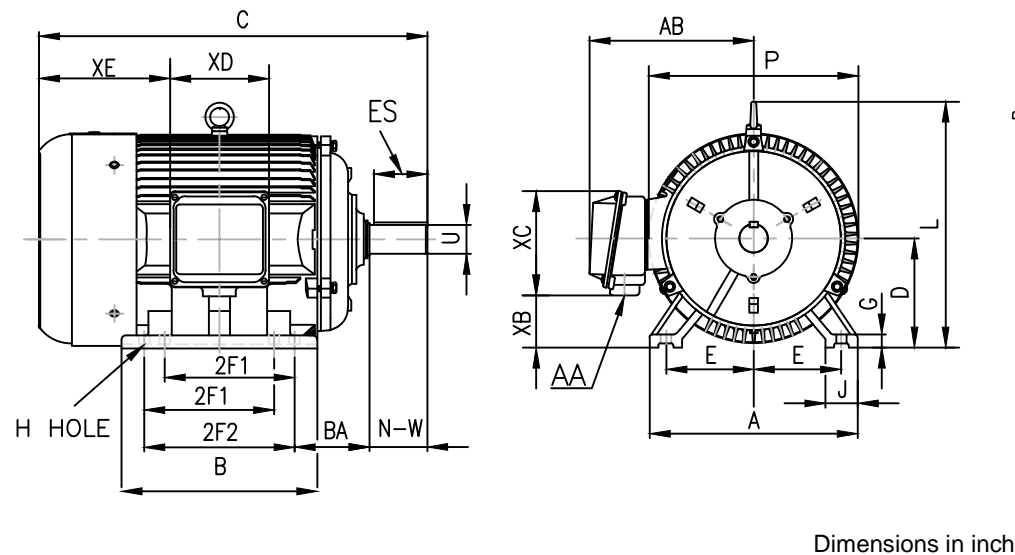
TM0606TPP

Voltage	<u>208-230/460</u>	Hz	<u>60</u>	Encl	<u>TEFC</u>	Duty Cycle	<u>Continuous / S1</u>
Design	<u>B</u>	Ins.Cl.	<u>F</u>	Ambient	<u>40°C</u>	IP	<u>55</u>
Altitude	<u>3300FT</u>	S.F.	<u>1.15</u>	Rotation	<u>CW/CCW</u>	Mounting	<u>F1/F2</u>

HP	RPM	Frame	Amps 208~230/460V	KVA Code	P.F.	Rated Torque	Locked Rotor Torque	Breakdown Torque	Full Load Temp. Rise
60	1190	404T	160.55~145.2/72.6	G	0.82	265 lb.ft.	180%	250%	80K

Slip %	Locked Rotor Amp	No Load Current	Moment of Inertia	Bearing		Regrease Interval		Max Time Locked Rotor	Efficiency %	
				DE	ODE	DE	ODE		FL	3/4L
0.8	870/435	49/24.5	43.4 lb.ft ²	NU316	6313	4400 Hrs	6600 Hrs	15 Sec	94.5	94.55

Inverter Duty	Hazardous Location / Temp. Code	Leads / Connect	Shaft Material	Approx Weight
10:1 CT 20:1 VT	Class I Division 2 / T3C	12 / Δ	1045 Carbon Steel	1020 lbs



Rating for 50 Hz Application	
HP	60
RPM	990
Volt	200/400
S.F.	1.0

Connection	
Low Voltage	High Voltage

A	B	C	D	G	J	P	L	AB
19.3	17.9	38.3	10	1.1	3.1	21.4	20.7	18.3

Mounting					Key		Keyset	Shaft Extension			Terminal Box				
E	2F1	2F2	H	BA	S	ES	R	N-W	U	AA	XB	XC	XD	XE	
8	12.25	13.75	0.81	6.62	0.75	5.65	2.45	7.25	2.875	3	5.1	11.7	9.8	12.7	

*Data may change without notice.