

Premium Efficiency Motor

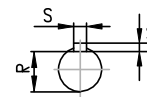
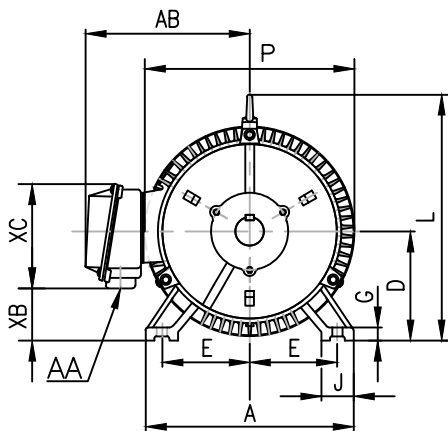
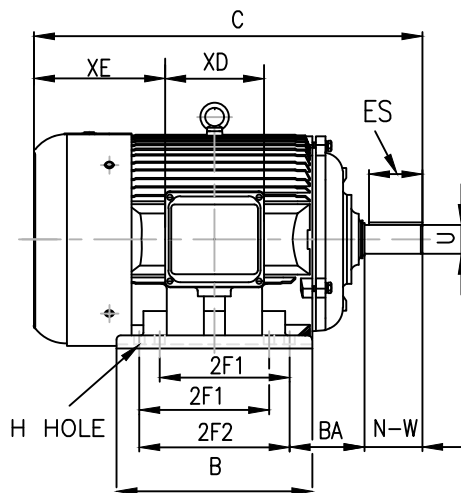
TM0604TPP

Voltage	<u>208-230/460</u>	Hz	<u>60</u>	Encl	<u>TEFC</u>	Duty Cycle	<u>Continuous / S1</u>
Design	<u>B</u>	Ins.Cl.	<u>F</u>	Ambient	<u>40°C</u>	IP	<u>55</u>
Altitude	<u>3300FT</u>	S.F.	<u>1.15</u>	Rotation	<u>CW/CCW</u>	Mounting	<u>F1/F2</u>

HP	RPM	Frame	Amps 208~230/460V	KVA Code	P.F.	Rated Torque	Locked Rotor Torque	Breakdown Torque	Full Load Temp. Rise
60	1790	364T	154.15~137.6/58.8	J	0.85	178 lb.ft.	210%	270%	80K

Slip %	Locked Rotor Amp	No Load Current	Moment of Inertia	Bearing		Regrease Interval		Max Time Locked Rotor	Efficiency %	
				DE	ODE	DE	ODE		FL	3/4L
0.6	870/435	49.5/24.25	15.7 lb.ft ²	6313	6312	4000 Hrs	6000 Hrs	15 Sec	95	95.1

Inverter Duty	Hazardous Location / Temp. Code	Leads / Connect	Shaft Material	Approx Weight
10:1 CT 20:1 VT	Class I Division 2 / T3C	12 / Δ	1045 Carbon Steel	819 lbs



Rating for 50 Hz Application	
HP	60
RPM	1490
Volt	200/400
S.F.	1.0

Connection					
Low Voltage			High Voltage		
○ 6	○ 4	○ 5	○ 4	○ 5	○ 6
○ 7	○ 8	○ 9	○ 7	○ 8	○ 9
○ 12	○ 10	○ 11	○ 12	○ 10	○ 11
○ 1	○ 2	○ 3	○ 1	○ 2	○ 3
L1	L2	L3	L1	L2	L3

Dimensions in inch

A	B	C	D	G	J	P	L	AB
17	14.6	33.2	9	1.1	3.1	19	18.5	16.9

Mounting					Key		Keyset	Shaft Extension		Terminal Box				
E	2F1	2F2	H	BA	S	ES	R	N-W	U	AA	XB	XC	XD	XE
7	—	11.25	0.66	5.88	0.625	4.28	2.021	5.88	2.375	3	4.1	11.7	9.8	10.9

*Data may change without notice.