

Premium Efficiency Motor

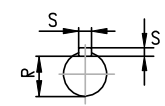
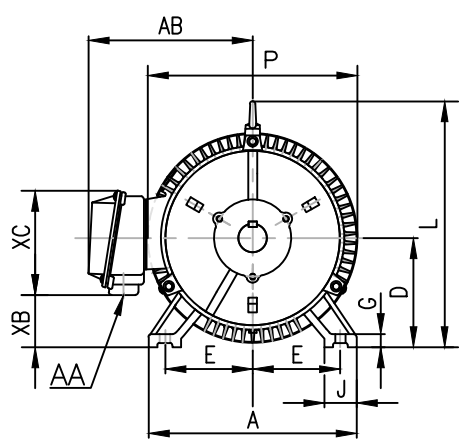
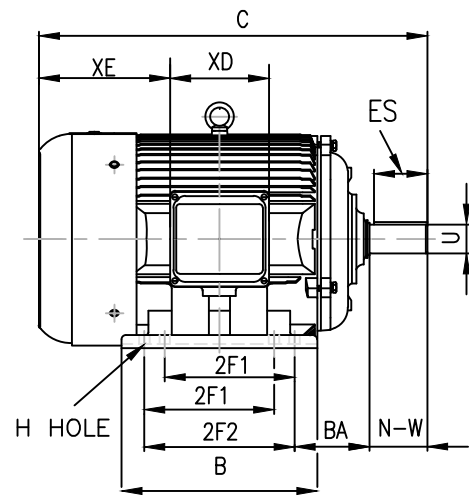
TM0252TPP

Voltage	<u>208-230/460</u>	Hz	<u>60</u>	Encl	<u>TEFC</u>	Duty Cycle	<u>Continuous / S1</u>
Design	<u>B</u>	Ins.Cl.	<u>F</u>	Ambient	<u>40°C</u>	IP	<u>55</u>
Altitude	<u>3300FT</u>	S.F.	<u>1.15</u>	Rotation	<u>CW/CCW</u>	Mounting	<u>F1/F2</u>

HP	RPM	Frame	Amps 208~230/460V	KVA Code	P.F.	Rated Torque	Locked Rotor Torque	Breakdown Torque	Full Load Temp. Rise
25	3580	284TS	64.8~58.8/29.4	G	0.87	36.7 lb.ft.	210%	250%	80K

Slip %	Locked Rotor Amp	No Load Current	Moment of Inertia	Bearing		Regrease Interval		Max Time Locked Rotor	Efficiency %	
				DE	ODE	DE	ODE		FL	3/4L
0.6	365/182.5	22.4/11.2	3.06 lb.ft ²	6311	6309	4000 Hrs	4000 Hrs	18 Sec	91.7	91.6

Inverter Duty	Hazardous Location / Temp. Code	Leads / Connect	Shaft Material	Approx Weight
10:1 CT 20:1 VT	Class I Division 2 / T3C	12 / Δ	1045 Carbon Steel	360 lbs



Rating for 50 Hz Application	
HP	25
RPM	2980
Volt	200/400
S.F.	1.0

Connection	
Low Voltage	High Voltage

Dimensions in inch

A	B	C	D	G	J	P	L	AB
13.7	11.9	25.6	7	1	2.7	15.6	14.8	13.6

Mounting				Key		Keyset	Shaft Extension			Terminal Box				
E	2F1	2F2	H	BA	S	ES	R	N-W	U	AA	XB	XC	XD	XE
5.5	—	9.5	0.53	4.75	0.375	1.91	1.416	3.25	1.625	2	1.8	10.6	9.1	8.3

*Data may change without notice.