

Premium Efficiency Motor

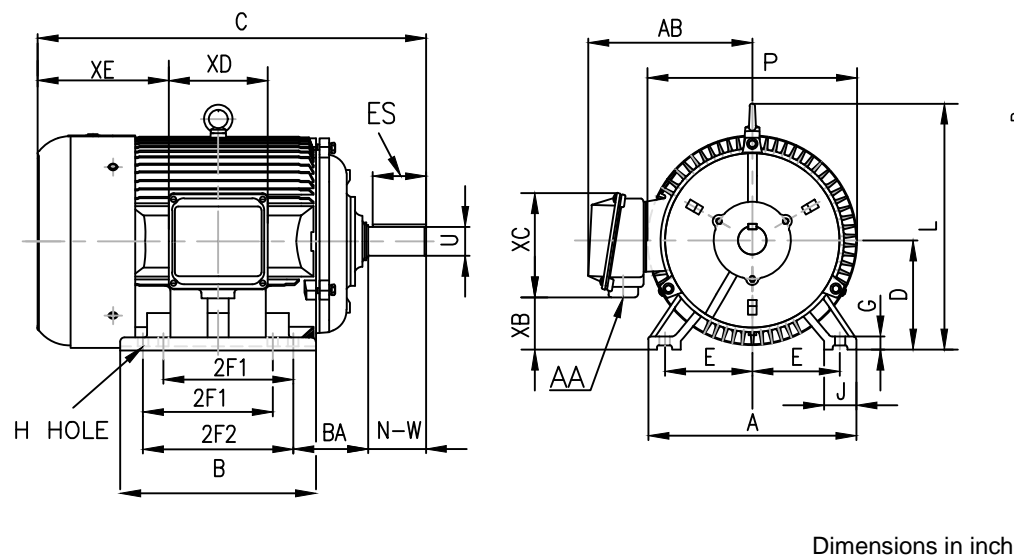
TM0204TPP

| | | | | | | | |
|----------|--------------------|---------|-------------|----------|---------------|------------|------------------------|
| Voltage | <u>208-230/460</u> | Hz | <u>60</u> | Encl | <u>TEFC</u> | Duty Cycle | <u>Continuous / S1</u> |
| Design | <u>B</u> | Ins.Cl. | <u>F</u> | Ambient | <u>40°C</u> | IP | <u>55</u> |
| Altitude | <u>3300FT</u> | S.F. | <u>1.15</u> | Rotation | <u>CW/CCW</u> | Mounting | <u>F1/F2</u> |

| HP | RPM | Frame | Amps 208-230/460V | KVA Code | P.F. | Rated Torque | Locked Rotor Torque | Breakdown Torque | Full Load Temp. Rise |
|----|------|-------|----------------------|----------|------|--------------|---------------------|------------------|----------------------|
| 20 | 1780 | 256T | 53.1-48/24 | G | 0.84 | 59.4 lb.ft. | 200% | 280% | 80K |

| Slip % | Locked Rotor Amp | No Load Current | Moment of Inertia | Bearing | | Regrease Interval | | Max Time Locked Rotor | Efficiency % | |
|--------|------------------|-----------------|-------------------------|---------|------|-------------------|----------|-----------------------|--------------|------|
| | | | | DE | ODE | DE | ODE | | FL | 3/4L |
| 1.1 | 290/145 | 17.14/8.57 | 4.09 lb.ft ² | 6309 | 6308 | 4000 Hrs | 4000 Hrs | 18 Sec | 93 | 93.1 |

| Inverter Duty | Hazardous Location / Temp. Code | Leads / Connect | Shaft Material | Approx Weight |
|-----------------|---------------------------------|-----------------|-------------------|---------------|
| 10:1 CT 20:1 VT | Class I Division 2 / T3C | 9 / Δ | 1045 Carbon Steel | 348 lbs |



| Rating for 50 Hz Application | |
|------------------------------|---------|
| HP | 20 |
| RPM | 1480 |
| Volt | 200/400 |
| S.F. | 1.0 |

| Connection | |
|-------------|--------------|
| Low Voltage | High Voltage |
| | |

| A | B | C | D | G | J | P | L | AB |
|------|------|------|------|------|-----|------|------|----|
| 12.1 | 12.1 | 25.3 | 6.25 | 0.78 | 2.4 | 14.2 | 13.3 | 11 |

| Mounting | | | | | Key | | Keyset | Shaft Extension | | Terminal Box | | | | |
|----------|------|-----|------|------|-------|------|--------|-----------------|-------|--------------|----|-----|-----|-----|
| E | 2F1 | 2F2 | H | BA | S | ES | R | N-W | U | AA | XB | XC | XD | XE |
| 5 | 8.25 | 10 | 0.53 | 4.25 | 0.375 | 2.91 | 1.416 | 4 | 1.625 | 1.5 | 3 | 7.3 | 6.3 | 8.9 |

*Data may change without notice.