

Premium Efficiency Motor

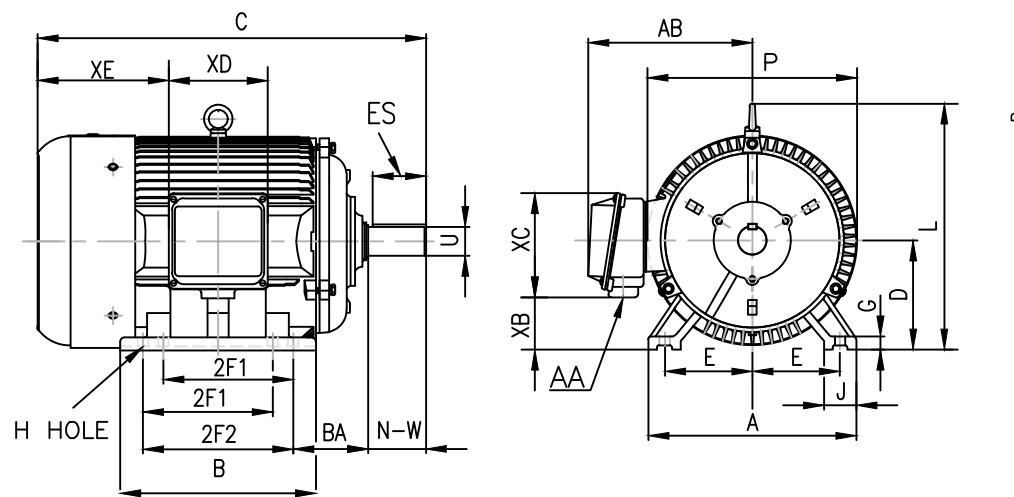
TM0156TPP

Voltage	<u>208-230/460</u>	Hz	<u>60</u>	Encl	<u>TEFC</u>	Duty Cycle	<u>Continuous / S1</u>
Design	<u>B</u>	Ins.Cl.	<u>F</u>	Ambient	<u>40°C</u>	IP	<u>55</u>
Altitude	<u>3300FT</u>	S.F.	<u>1.15</u>	Rotation	<u>CW/CCW</u>	Mounting	<u>F1/F2</u>

HP	RPM	Frame	Amps 208~230/460V	KVA Code	P.F.	Rated Torque	Locked Rotor Torque	Breakdown Torque	Full Load Temp. Rise
15	1190	284T	44.36~40.36/20.18	G	0.76	60.23 lb.ft.	220%	290%	80K

Slip %	Locked Rotor Amp	No Load Current	Moment of Inertia	Bearing		Regrease Interval		Max Time Locked Rotor	Efficiency %	
				DE	ODE	DE	ODE		FL	3/4L
0.8	232/116	18.02/9.01	5.49 lb.ft ²	6311	6309	12700 Hrs	13400 Hrs	18 Sec	91.7	91.65

Inverter Duty	Hazardous Location / Temp. Code	Leads / Connect	Shaft Material	Approx Weight
10:1 CT 20:1 VT	Class I Division 2 / T3C	12 / Δ	1045 Carbon Steel	419 lbs



Rating for 50 Hz Application	
HP	15
RPM	990
Volt	200/400
S.F.	1.0

Connection	
Low Voltage	High Voltage

Dimensions in inch

A	B	C	D	G	J	P	L	AB
13.7	11.9	27	7	1	2.7	15.6	14.8	13.6

Mounting					Key		Keyset	Shaft Extension		Terminal Box				
E	2F1	2F2	H	BA	S	ES	R	N-W	U	AA	XB	XC	XD	XE
5.5	—	9.5	0.53	4.75	0.5	3.28	1.591	4.62	1.875	2	1.8	10.6	9.1	8.3

*Data may change without notice.