

Premium Efficiency Motor

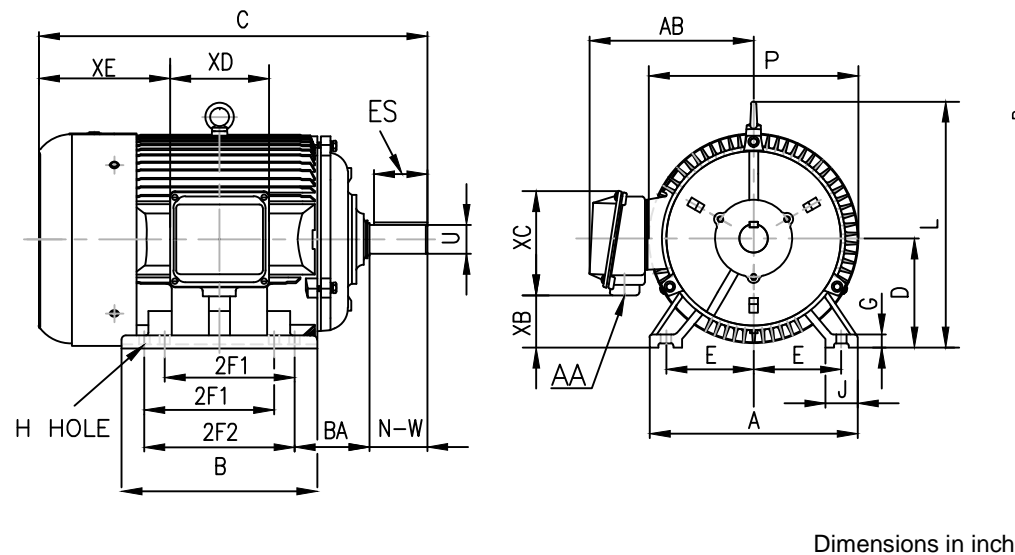
TM0154TPP

Voltage	<u>208-230/460</u>	Hz	<u>60</u>	Encl	<u>TEFC</u>	Duty Cycle	<u>Continuous / S1</u>
Design	<u>B</u>	Ins.Cl.	<u>F</u>	Ambient	<u>40°C</u>	IP	<u>55</u>
Altitude	<u>3300FT</u>	S.F.	<u>1.15</u>	Rotation	<u>CW/CCW</u>	Mounting	<u>F1/F2</u>

HP	RPM	Frame	Amps 208~230/460V	KVA Code	P.F.	Rated Torque	Locked Rotor Torque	Breakdown Torque	Full Load Temp. Rise
15	1780	254T	41~37.1/18.55	G	0.82	45 lb.ft.	205%	280%	80K

Slip %	Locked Rotor Amp	No Load Current	Moment of Inertia	Bearing		Regrease Interval		Max Time Locked Rotor	Efficiency %	
				DE	ODE	DE	ODE		FL	3/4L
1.1	232/116	14.4/7.2	3.33 lb.ft <sup>2</sup>	6309	6308	4000 Hrs	4000 Hrs	18 Sec	92.4	92.5

Inverter Duty	Hazardous Location / Temp. Code	Leads / Connect	Shaft Material	Approx Weight
10:1 CT 20:1 VT	Class I Division 2 / T3C	9 / Δ	1045 Carbon Steel	294 lbs



Rating for 50 Hz Application	
HP	15
RPM	1480
Volt	200/400
S.F.	1.0

Connection	
Low Voltage	High Voltage

A	B	C	D	G	J	P	L	AB
12.1	10.3	23.6	6.25	0.78	2.4	14.2	13.3	11

Mounting					Key		Keyset	Shaft Extension		Terminal Box				
E	2F1	2F2	H	BA	S	ES	R	N-W	U	AA	XB	XC	XD	XE
5	—	8.25	0.53	4.25	0.375	2.91	1.416	4	1.625	1.5	3	7.3	6.3	8.1

\*Data may change without notice.