

Premium Efficiency Motor

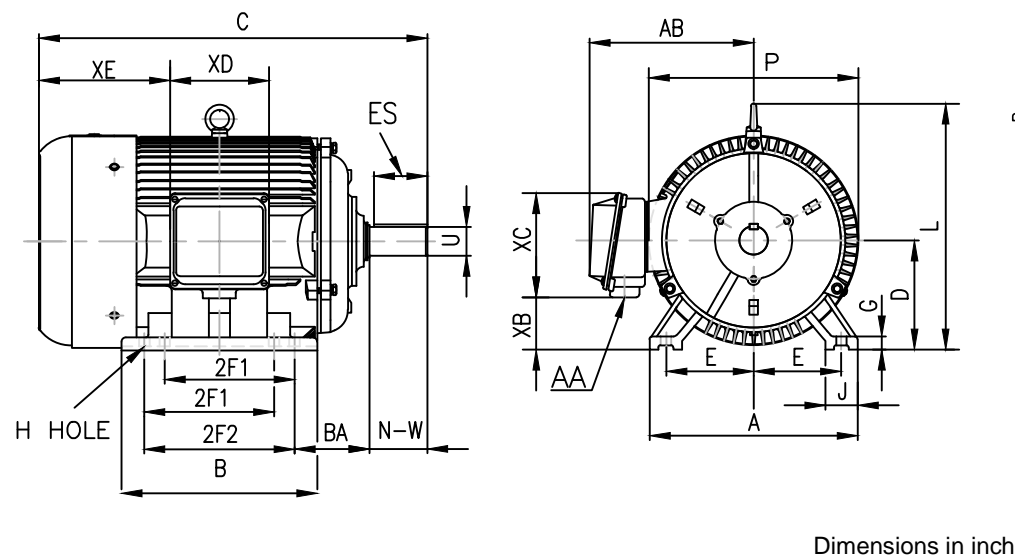
TM0036TPP

Voltage	<u>208-230/460</u>	Hz	<u>60</u>	Encl	<u>TEFC</u>	Duty Cycle	<u>Continuous / S1</u>
Design	<u>B</u>	Ins.Cl.	<u>F</u>	Ambient	<u>40°C</u>	IP	<u>55</u>
Altitude	<u>3300FT</u>	S.F.	<u>1.15</u>	Rotation	<u>CW/CCW</u>	Mounting	<u>F1/F2</u>

HP	RPM	Frame	Amps 208~230/460V	KVA Code	P.F.	Rated Torque	Locked Rotor Torque	Breakdown Torque	Full Load Temp. Rise
3	1180	213T	9.4~8.5/4.25	K	0.74	13.36 lb.ft.	220%	300%	80K

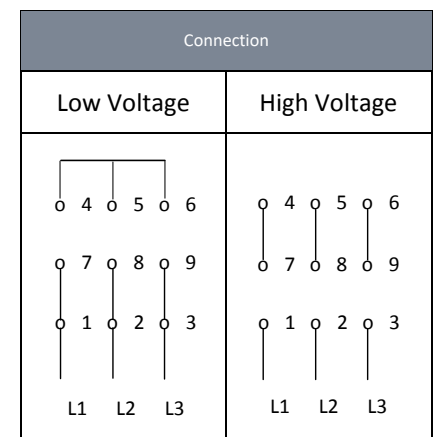
Slip %	Locked Rotor Amp	No Load Current	Moment of Inertia	Bearing		Regrease Interval		Max Time Locked Rotor	Efficiency %	
				DE	ODE	DE	ODE		FL	3/4L
1.7	64/32	6.4/3.2	1.503 lb.ft ²	6308ZZ	6306ZZ	—	—	20 Sec	89.5	89.55

Inverter Duty	Hazardous Location / Temp. Code	Leads / Connect	Shaft Material	Approx Weight
10:1 CT 20:1 VT	Class I Division 2 / T4	9 / Y	1045 Carbon Steel	165 lbs



A	B	C	D	G	J	P	L	AB
10.6	7.5	19.1	5.25	0.75	2.4	11.4	11	8.8

Rating for 50 Hz Application	
HP	3
RPM	980
Volt	200/400
S.F.	1.0



Mounting					Key		Keyset	Shaft Extension		Terminal Box				
E	2F1	2F2	H	BA	S	ES	R	N-W	U	AA	XB	XC	XD	XE
4.25	—	5.5	0.41	3.5	0.312	2.41	1.201	3.38	1.375	1	3.2	5.1	4.6	7.2

*Data may change without notice.