

Premium Efficiency Motor

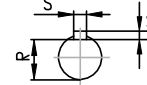
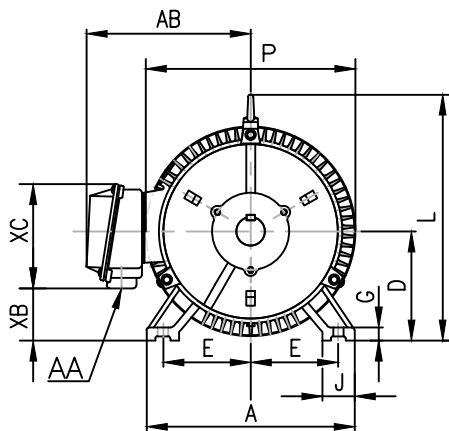
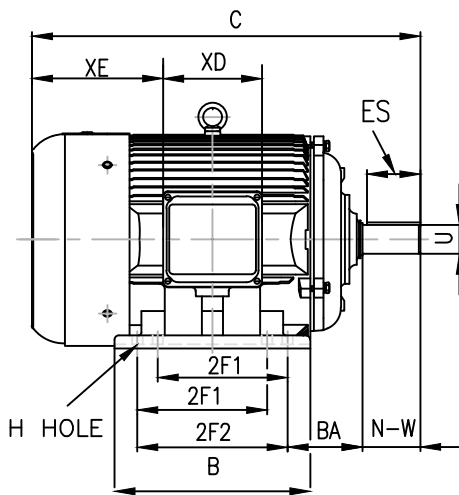
TM0014TPP

Voltage	<u>208-230/460</u>	Hz	<u>60</u>	Encl	<u>TEFC</u>	Duty Cycle	<u>Continuous / S1</u>
Design	<u>B</u>	Ins.Cl.	<u>F</u>	Ambient	<u>40°C</u>	IP	<u>55</u>
Altitude	<u>3300FT</u>	S.F.	<u>1.15</u>	Rotation	<u>CW/CCW</u>	Mounting	<u>F1/F2</u>

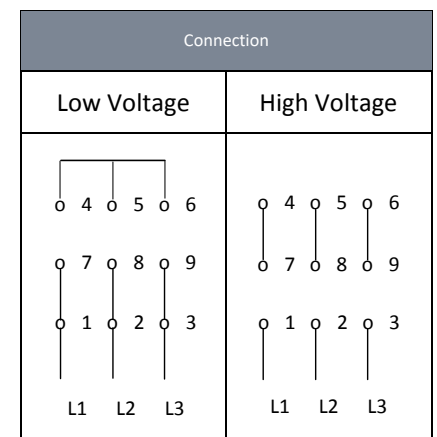
HP	RPM	Frame	Amps 208~230/460V	KVA Code	P.F.	Rated Torque	Locked Rotor Torque	Breakdown Torque	Full Load Temp. Rise
1	1770	143T	3.67~3.32/1.66	N	0.66	3 lb.ft.	300%	380%	80K

Slip %	Locked Rotor Amp	No Load Current	Moment of Inertia	Bearing		Regrease Interval		Max Time Locked Rotor	Efficiency %	
				DE	ODE	DE	ODE		FL	3/4L
1.7	30/15	2.28/1.14	0.089 lb.ft <sup>2</sup>	6205ZZ	6205ZZ	—	—	16 Sec	86.3	85.5

Inverter Duty	Hazardous Location / Temp. Code	Leads / Connect	Shaft Material	Approx Weight
10:1 CT 20:1 VT	Class I Division 2 / T4	g / Y	1045 Carbon Steel	50 lbs



Rating for 50 Hz Application	
HP	1
RPM	1470
Volt	200/400
S.F.	1.0



Dimensions in inch

A	B	C	D	G	J	P	L	AB
7	6.2	12.8	3.5	0.55	1.5	7.1	7.1	6.3

Mounting					Key		Keyset	Shaft Extension		Terminal Box				
E	2F1	2F2	H	BA	S	ES	R	N-W	U	AA	XB	XC	XD	XE
2.75	—	4	0.34	2.25	0.188	1.41	0.771	2.25	0.875	0.75	1.8	4.5	4.1	4.3

\*Data may change without notice.